



ZETA-40P & ZETA-85P

Exploded View Diagram and Parts List

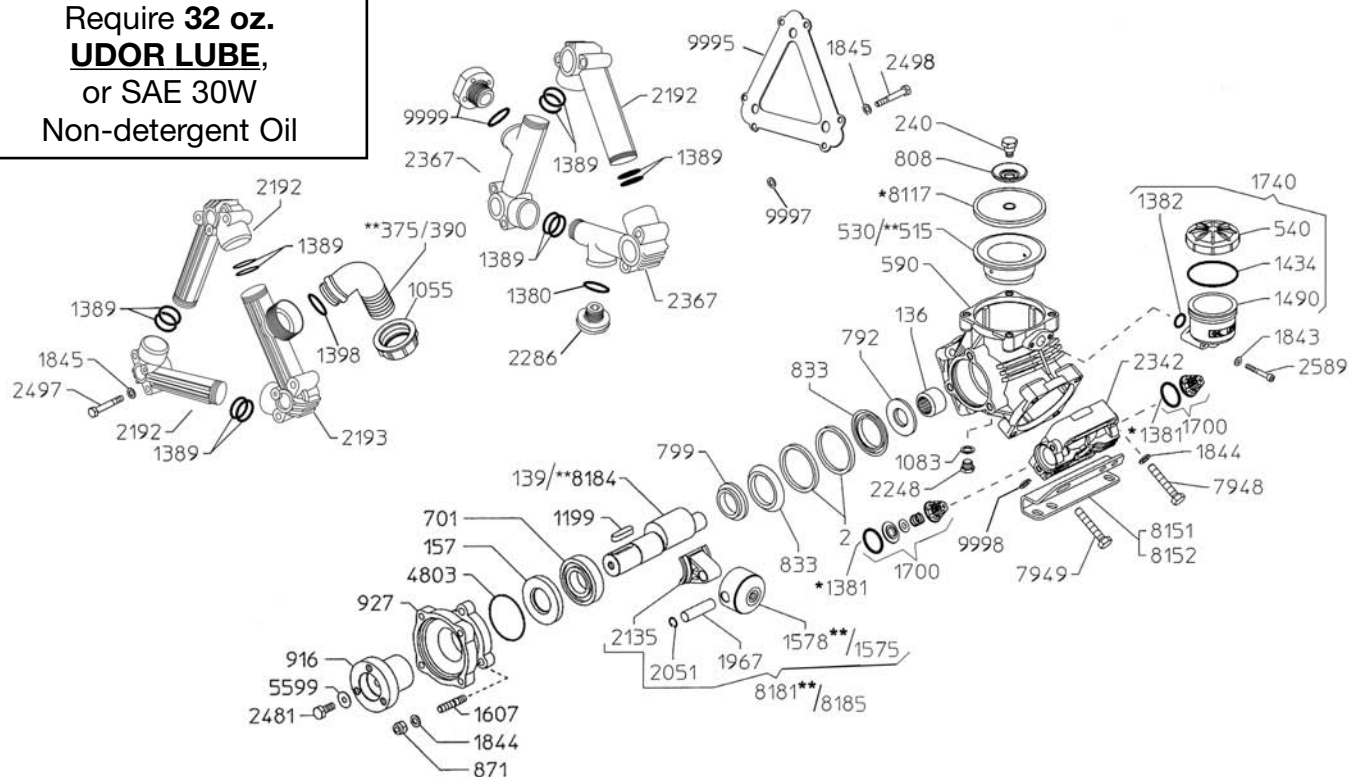
ZETA-40P & ZETA-85P PUMPS

Require **32 oz.**

UDOR LUBE,

or SAE 30W

Non-detergent Oil



REF#	PART#	DESCRIPTION	QTY	REF#	PART#	DESCRIPTION	QTY
2	02-0001.01	Retainer Ring	2	1740	02-6033.01	Oil Reservoir Assembly	1
136	02-0006.07	Bearing	1	1843	02-1400.04	Washer S.S.	2
139	02-0002.D7	Crank Shaft	1	1844	02-1400.03	Head Bolt Washer S.S.	15
157	02-0007.05	Seal	1	1845	02-1414.02	Manifold Washer S.S.	12
240	02-0102.16	Diaphragm Bolt S.S.	3	1967	02-1502.07	Connecting Rod Pin	3
**375	02-0202.78	Suction Elbow (ZETA-85)	1	2051	02-1506.15	Snap Ring	6
390	02-1406.94	Suction Elbow	1	2135	02-1519.30	Connecting Rod	3
**515	02-0206.44	Piston Sleeve (ZETA-85)	3	2192	02-1601.25	Manifold Tube	3
530	02-0206.08	Piston Sleeve	3	2193	02-1601.26	Intake Manifold Tube	1
540	02-0208.98	Oil Cap	1	2248	02-1603.67	Oil Plug	1
590	02-0209.76	Crankcase	1	2286	02-1603.87	Plug	1
701	02-0214.05	Bearing	1	2342	02-1604.94/P	Head Poly	3
792	02-0301.12	Spacer	1	2367	02-1605.28	Discharge Manifold Tube	2
799	02-0301.24	Washer	1	2481	02-1804.07	Bolt	1
808	02-0301.43	Diaphragm Washer	3	2482	02-1804.09	Bolt	6
833	02-0302.52	Rod Spacer	2	2497	02-1900.02	Suction Manifold Bolt S.S.	6
871	02-0304.04	Nut	3	2498	02-1900.01	Discharge Manifold Bolt S.S.	6
916	02-0501.62	Crank Adapter	1	2589	02-1900.04	Oil Cup Bolt S.S.	2
927	02-0501.79	Adapter Flange	1	4803	02-1101.43	O-Ring	1
1055	02-0604.50	Barb Nut	1	5599	02-1403.02	Washer	1
1083	02-0605.49	Plug Gasket	1	7948	02-1816.21	Head Bolt S.S.	12
1199	02-0801.11	Key	1	7949	02-1900.00	Rail Bolt S.S.	4
1380	02-1101.25	O-Ring	1	*8117	02-0903.38	Piston Diaphragm (DESMOPAN)	3
*1381	02-1101.27	O-Ring	6	8151	02-1202.63	Mounting Rail - Right Side	1
1382	02-1101.29	O-Ring	1	8152	02-1202.64	Mounting Rail - Left Side	1
1389	02-1101.41	O-Ring	12	**8181	02-6015.49	Piston & Rod Assembly (ZETA-85)	3
1398	02-1101.42	O-Ring	1	**8184	02-0002.C5	Crankshaft (ZETA-85)	1
1434	02-1101.D1	O-Ring	1	8185	02-6015.51	Piston / Rod Assembly	3
1490	02-1203.27	Oil Reservoir	1	9995	02-0508.09	Discharge Plate S.S.	1
1575	02-1205.07	Piston	3	9997	02-1400.00	Discharge Manifold Spacer S.S.	6
**1578	02-1205.18	Piston (ZETA-85)	3	9998	02-1400.01	Rail Spacer S.S.	4
1607	02-1206.22	Stud	3	9999	02-0508.10	Regulator Adapter S.S.	1
1700	02-6006.36	Valve Assembly	6				

* Parts Included in Diaphragm Repair Kit - #02-8700.60. ** Parts for ZETA-85.

ZETA-40P & 85P



ZETA-40P & ZETA-85P

Low Pressure Poly Diaphragm Pumps

ZETA-40P and ZETA-85P low pressure, 3-cylinder poly diaphragm pumps are excellent for various horticultural and agricultural spraying applications. These pumps are also very effective for mild chlorine and abrasive fluids.

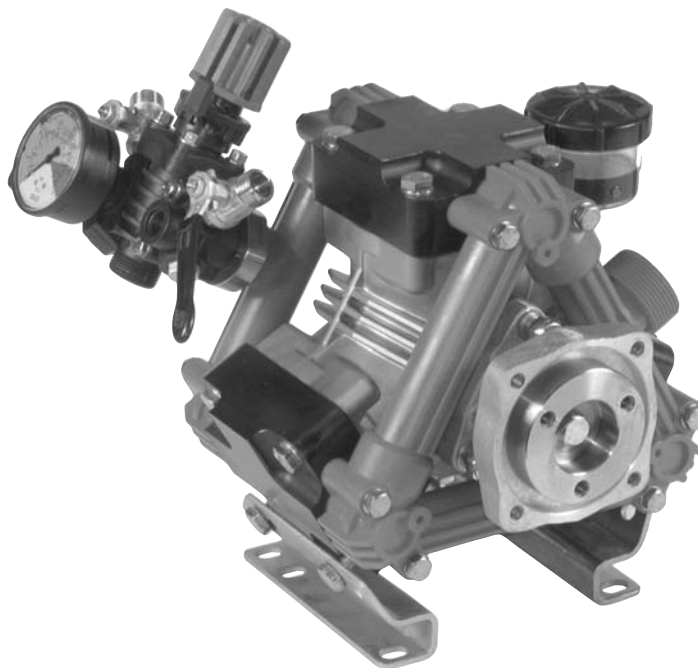
Simplicity of design and common parts allow easy and affordable maintenance. A universal drive face is standard on both pumps.

ZETA-40P and ZETA-85P pumps have anodized aluminum bodies, stainless steel valves, stainless steel diaphragm bolts, poly heads and poly manifolds. A control valve and pressure gauge are standard on both models.

Drive options include:

- 4155.01 Hydraulic Motor Adapter Kit
- 5027.75 Gear Reduction 4-6.5 HP Engines
- 7751.A3 1" Solid Shaft
- 7753.A6 1-3/8" Six Spline Male Shaft
- 7752.A2 1-3/8" 6-Spline Female PTO Adapter and Bolts, Torque Arms, Chains and Safety Shield

For industrial uses and spraying applications not listed, please consult UDOR U.S.A.



SPECIFICATIONS

Maximum Flow	
ZETA-40P	10.5 GPM
ZETA-85P	22 GPM
Maximum Pressure	300 PSI
Maximum Pump Speed	540 RPM
Maximum Temperature	140° F
Ports	
Inlet ZETA-40P	1-1/4" Hose Barb
Inlet ZETA-85P	1-1/2" Hose Barb
Discharge	1/2" (2) Hose Barbs Ball Valve Controlled
Bypass	3/4" Hose Barb
Dimensions	L-10-1/2" x W-11" x H-12-3/4"
Weight	36 lbs.
Diaphragm Material	
Standard	DESMOPAN

NOTE - Protect pumps from freezing. If freezing conditions exist, flush pump and system with a 50/50 mixture of antifreeze and water.